



SolaLED

Self-Contained Marine Navigation Light - 4NM

SolaLED is a high intensity, self-contained, marine navigation light with its own solar power system and battery pack. Designed for trouble-free service in the harshest of marine environments, SolaLED utilises the latest LED technology, state-of-the-art optical design and manufacturing techniques.

SolaLED features a tough, ultraviolet resistant, polycarbonate outer enclosure. A metalised polycarbonate reflector provides two options: narrow beam for long range applications or a wider beam for use on buoys.

An efficient, high intensity LED powered by Tideland engineered electronic circuitry provides current controlled power conversion. A unique method of on-site operational testing is achieved by use of a magnetic sensor, without requiring opening of lantern or external cable connection.

FEATURES

- **TWO REFLECTOR OPTIONS** – Narrow vertical divergence beam for maximum visual range in fixed locations or high stability buoy applications or a wider beam for channel marker buoys and short range jetty lights.
- **PROGRAMMING MODES** – SolaLED is factory set for power and required flash character. For customer and maintenance personnel, SolaLED can be easily re-configured utilising SignalView™ software available from Tideland.
- **MAGNET ACTIVATED SWITCH (QUICK CHECK)** – Provides a means of (1) switching SolaLED on or off, (2) testing the flash character and battery, and (3) placing SolaLED into a rest mode for solar charging or floating battery charge. Activation is achieved by passing a magnetic pencil over an internal sensor. Test results are shown by coded flash sequences of the LED.
- **OPTIONS** – GPS Synchronisation.

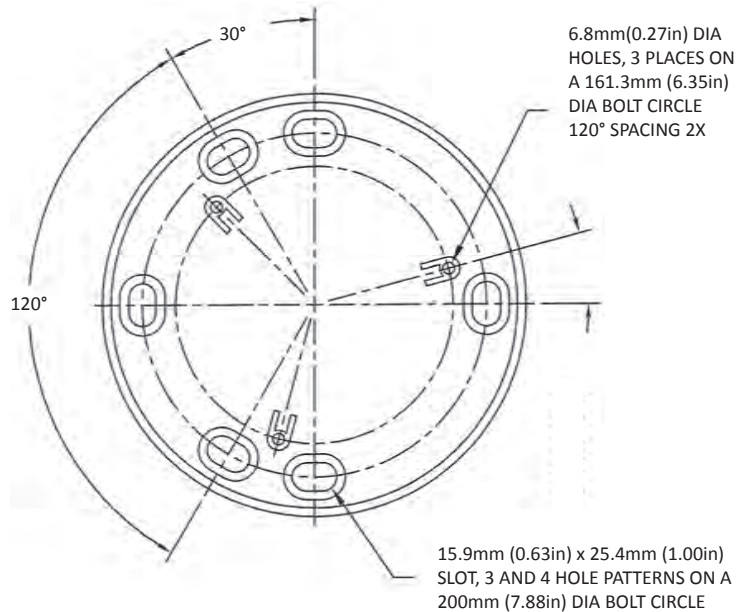
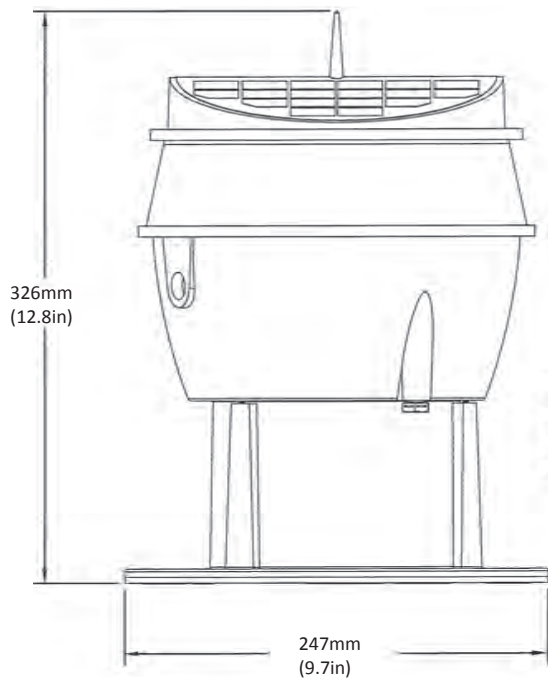


SPECIFICATIONS

Colours Available	Red, green, yellow, white and blue
Solar Module Rating	2.75 Peak Watts @ 12VDC (Nominal)
Battery Rating	7.5Ah @ 12VDC
Visibility	360° (Omnidirectional)
Vertical Divergence	
Narrow	2.4° at 50 %
Wide	10° at 50 %
Operating Temperature	-40° C to +60° C
Height	326mm (12.8in)
Diameter	247mm (9.7in)
Weight	4.54kg (10.0lbs)
Material	Polycarbonate Plastic
IP Rating	IP-67

NOTE: Specifications are subject to change.

SolaLED SELF-CONTAINED COST-EFFECTIVE 3 TO 4NM SOLUTION



USA - HOUSTON

P: + 1 713 681 6101
F: + 1 713 681 6233
E: us-sales@tidelandsignal.com

CANADA - DSS MARINE

P: + 844 843 3526
F: + 613 680 7418
E: canada-sales@tidelandsignal.com

UK - BURGESS HILL

P: + 44 (0) 1444 872240
F: + 44 (0) 1444 872241
E: emea-sales@tidelandsignal.com

UK - GT YARMOUTH

P: + 44 (0) 1493 441711
F: + 44 (0) 1493 440322
E: emea-sales@tidelandsignal.com

UAE - DUBAI

P: + 971 (0) 4 885 5842
F: + 971 (0) 4 885 7352
E: emea-sales@tidelandsignal.com

SINGAPORE

P: + 65 6333 0078
F: + 65 6333 0079
E: asia-sales@tidelandsignal.com

CHINA

P: + 86 (0) 1380 101 4639
F: + 86 (0) 21 3868 8087
E: asia-sales@tidelandsignal.com