



NOVA-IB

Medium Range Ice or River Buoy Lantern

The NOVA-IB is specifically designed for use on an ice buoy or spar type river buoy. Manufactured from heavy-duty bronze with a strong acrylic lens, the NOVA-IB is highly efficient and naturally completely waterproof. For the occasions when it is pulled under ice or pulled under water from floating debris, Tideland offers a tilting control option that will turn the light off to increase efficiency.

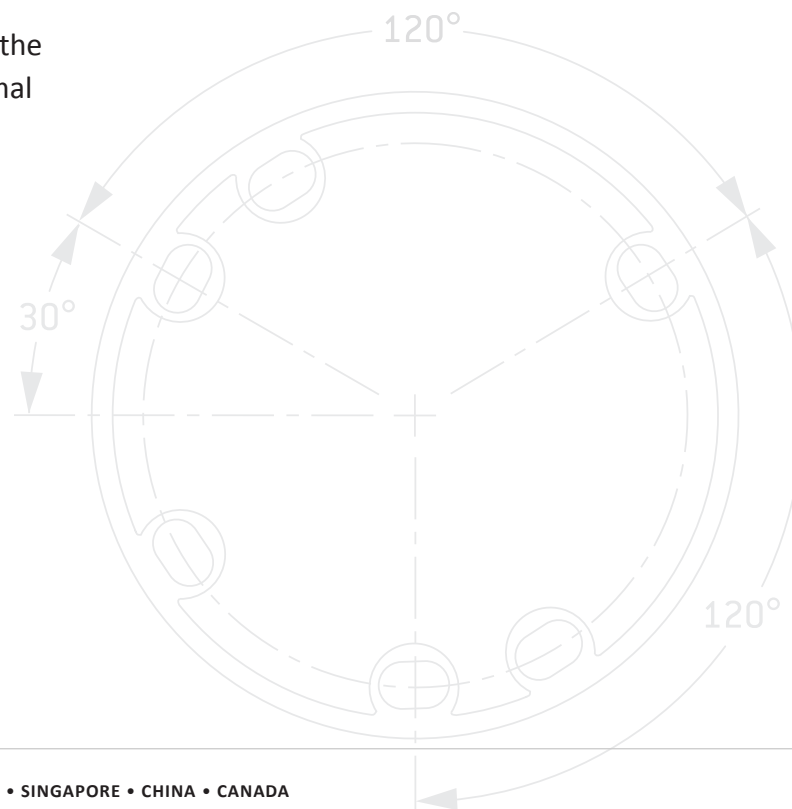
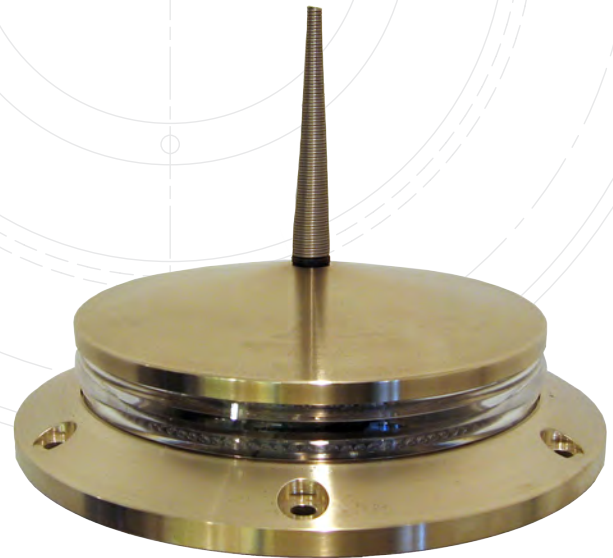
Rated at IP68, The NOVA-IB is available in all IALA colors and has a 10 degree vertical divergence with ranges of up to 7 or 8NM depending upon color of choice. It has a "best in class" performance rating and is up to 50% more efficient than comparable products.

The NOVA-IB has a wide input voltage range of 12V to 30V DC and is compatible with most primary battery packs. Designed with greater efficiency, the NOVA-IB will outlast other products and provides options to select a greater NM range.

Potential debris may cause considerable damage to conventional buoys and lanterns. Trials have shown that using a spar type buoy with a NOVA-IB can limit damage. On most ice buoys, debris builds up against the buoy until it is pushed under, whereby using a spar type buoy with a NOVA-IB, tests have shown the debris floats over and the buoy returns to its normal position.

NOVA-IB can also be programmed with a simple remote control that is also available as an option.

NOVA-IB
with optional bird spike

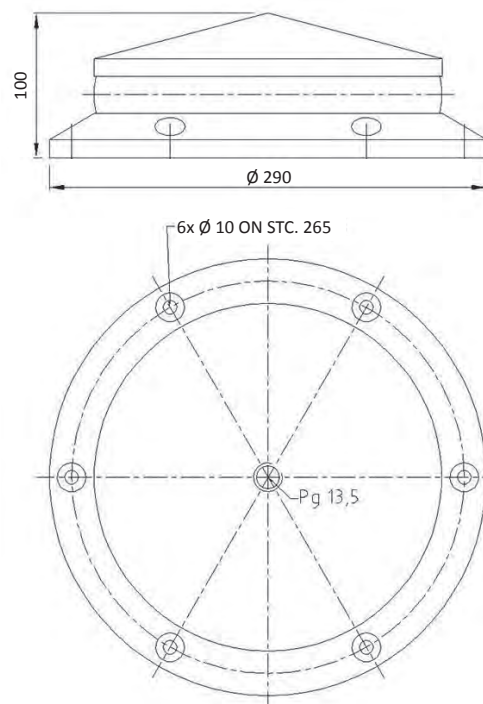


SPECIFICATIONS

Application	Buoys or beacons
Lens material/ type	Acrylic type PMMA200
Lantern base	Bronze
Lantern top	Bronze
Optional birdspike	Stainless steel spring-type
Flasher	256 pre-programmed IALA flash codes
Optional remote control	Flash code setting, sunswitch setting
Connection	PUR cable, standard length 3 metres
Cable entry	Cable gland PG13.5, brass, nickel plated
Sunswitch	Internal
Horizontal spread	360 degrees
Vertical divergence	> 24 degrees at 10% 10 degrees at 50%
Max. intensity at T=0.74	7 to 8NM
4NM flashed at 0.5 second	White 0.72W, Green 0.61W, Red 1.67W
5NM flashed at 0.5 second	White 1.56W, Green 1.53W, Red 3.4W
Voltage range	12-30VDC
Protection class	IP68
Lantern mounting	6 x 10mm holes, 265mm pitch circle
Weight	11kg

NOTE: Specifications are subject to change.

NOVA-IB A TOUGH AND EFFICIENT ICE BUOY LANTERN



USA - HOUSTON
P: + 1 713 681 6101
F: + 1 713 681 6233
E: us-sales@tidelandsignal.com

CANADA - DSS MARINE
P: + 844 843 3526
F: + 613 680 7418
E: canada-sales@tidelandsignal.com

UK - BURGESS HILL
P: + 44 (0) 1444 872240
F: + 44 (0) 1444 872241
E: emea-sales@tidelandsignal.com

UK - GT YARMOUTH
P: + 44 (0) 1493 441711
F: + 44 (0) 1493 440322
E: emea-sales@tidelandsignal.com

UAE - DUBAI
P: + 971 (0) 4 885 5842
F: + 971 (0) 4 885 7352
E: emea-sales@tidelandsignal.com

SINGAPORE
P: + 65 6333 0078
F: + 65 6333 0079
E: asia-sales@tidelandsignal.com

CHINA
P: + 86 (0) 1380 101 4639
F: + 86 (0) 21 3868 8087
E: asia-sales@tidelandsignal.com