



# Nova-65 SC

## Self-Contained Marine Lantern

The Nova-65 SC features unique and proprietary optics which provide a 360° beam at 5°, 10°, 20° or 30° vertical divergence. Utilizing a highly efficient compact lens, the Nova-65 SC is engineered to utilize the advanced and cost-effective technology of LEDs.

Solar modules and high-grade batteries are housed in a compact self-contained marine lantern, designed for low maintenance with a projected service life of 10 years before any significant maintenance is needed. The 5° and 10° divergence lenses are ideal for fixed or floating aids to navigation while the 20° or 30° lens provides exceptional performance on buoys. The 5° lens can be used to meet specific needs that require a much longer range while still using a minimal amount of power.

### FEATURES

- User selectable power setting for visual range.
- Photovoltaic system sized for demanding locations.
- SignalView software to program user options.
- Temperature compensated LED drive circuits ensure uniform brightness with ambient temperature change.
- Availability in all IALA approved colors.
- Constant current power source for maximum LED lifetime.
- Optional GPS synchronisation module.
- Optional GSM and Satellite monitoring.
- Optional AIS AtoN module for message 21 and monitoring via message 6.
- 256 user selectable flash characters.
- Full monitor and control capability.
- Optional 5°, 10°, 20° or 30° lens.

Nova-65 SC



Optional AIS AtoN Module

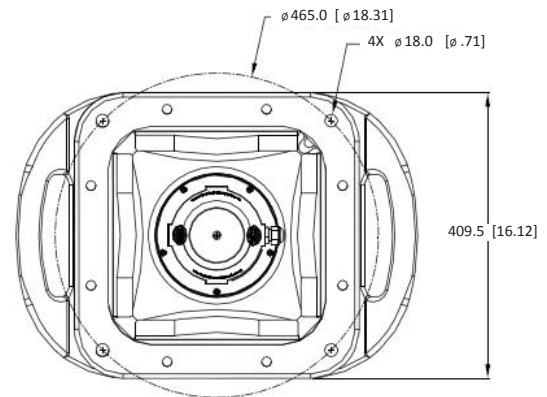
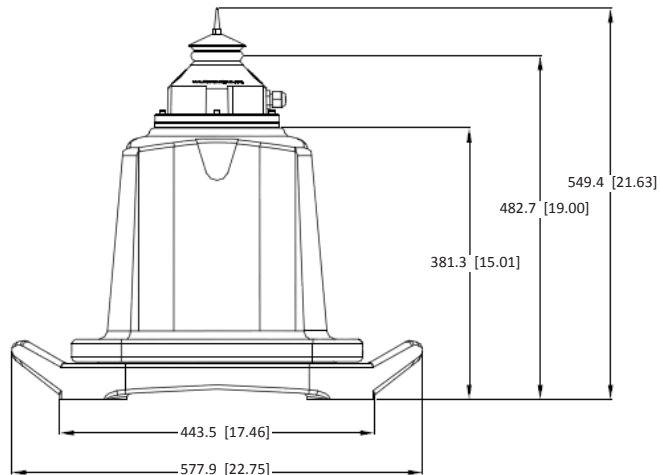


# SPECIFICATIONS

Input Voltage	12VDC
Power Consumption	Variable up to 5W
Power Setting	Field Selectable
Colours Available	Red, green, yellow, white and blue
Quiescent Current	Light only < 2 mA ; with internal GPS < 3 mA
Visibility	360° horizon (omnidirectional)
Vertical Divergence	5°, 10°, 20° or 30° degrees at 50%; ± 1 degree
Monitor and Control	Capable
Flash Codes	Up to 256 codes, field selectable or via communication link
Synchronisation	GPS or hardwire options
Sunswitch Threshold	Adjustable
Operation Temperature	-40° C to +70° C
Weight	20kg (44lbs)
Size	L 578mm (23in) x W 410mm (16in) x H 549mm (22in) plus an additional 75mm (3in) each for the two handles
Relative Humidity	100% condensing
Atmosphere	Rated for continuous operation in a salty air
Wind	Designed to withstand speeds in excess of 300kmph (180mph)
Solar Panels	4 Panels, each at 12 Volts 5.5W Nominal
Battery Capacity	38 or 45 Amp-hour
Battery Type	Sealed Lead Acid
Construction	Rotationally moulded polyethylene
Mounting	4 mounting 18mm (0.7in) holes on a 465mm (18in) diameter bolt hole circle
Base	Removable base

NOTE: Specifications are subject to change.

## Nova-65 SC IDEAL FOR ADDING AIS, GSM OR SATELLITE MONITORING



**USA - HOUSTON**  
P: + 1 713 681 6101  
F: + 1 713 681 6233  
E: us-sales@tidelandsignal.com

**UK - BURGESS HILL**  
P: + 44 (0) 1444 872240  
F: + 44 (0) 1444 872241  
E: emea-sales@tidelandsignal.com

**UAE - DUBAI**  
P: + 971 (0) 4 885 5842  
F: + 971 (0) 4 885 7352  
E: emea-sales@tidelandsignal.com

**CHINA**  
P: + 86 (0) 1380 101 4639  
F: + 86 (0) 21 3868 8087  
E: asia-sales@tidelandsignal.com

**CANADA - DSS MARINE**  
P: + 844 843 3526  
F: + 613 680 7418  
E: canada-sales@tidelandsignal.com

**UK - GT YARMOUTH**  
P: + 44 (0) 1493 441711  
F: + 44 (0) 1493 440322  
E: emea-sales@tidelandsignal.com

**SINGAPORE**  
P: + 65 6333 0078  
F: + 65 6333 0079  
E: asia-sales@tidelandsignal.com