



# Nova-65

## LED Marine Lantern

The Nova-65 features unique and proprietary optics which provide a 360° beam at 5°, 10°, 20° or 30° vertical divergence. Utilizing a highly efficient compact lens, the Nova-65 is a one of a kind, small, lightweight marine beacon. The 10° divergence lens is ideal for fixed or floating aids to navigation while the 20° and 30° lenses provide exceptional performance on buoys. The 5° lens can be used to meet specific needs that require a much longer range while still using a minimal amount of power. The 20° and 30° options are ideal for use on tension-leg and spar platforms.

**New for 2012 is the Nova-65 HI.** This has been specifically designed to provide over 10NM range with a vertical divergence of 3 degrees. It is available in white only.

Two options of housing are available: standard general marine use and a ruggedized metal version. Both are designed to withstand the harsh marine environment including: ice buildup in extremes of latitude and the high temperatures experienced along the equatorial plane. IP-66 and IP-68 make Nova-65 the choice of professionals.

### FEATURES

- User selectable power and flash code settings for multiple visual range performance
- Full monitor and control capability
- SignalView™ program to set user options
- Approved by USCG for class A, B and C offshore structures
- A constant current power source provides maximum lifetime of LEDs
- Temperature compensated LED drive circuits ensure uniform brightness with ambient temperature change

### OPTIONS

- GPS Synchronisation
- 5°, 10°, 20° or 30° vertical divergence lens
- 3° vertical divergence lens (white only)

Plastic Housing



Nova-65 HI



See our "extreme" test of the metal housing version at <http://www.youtube.com/watch?v=fkSBO9xagxw>

# SPECIFICATIONS

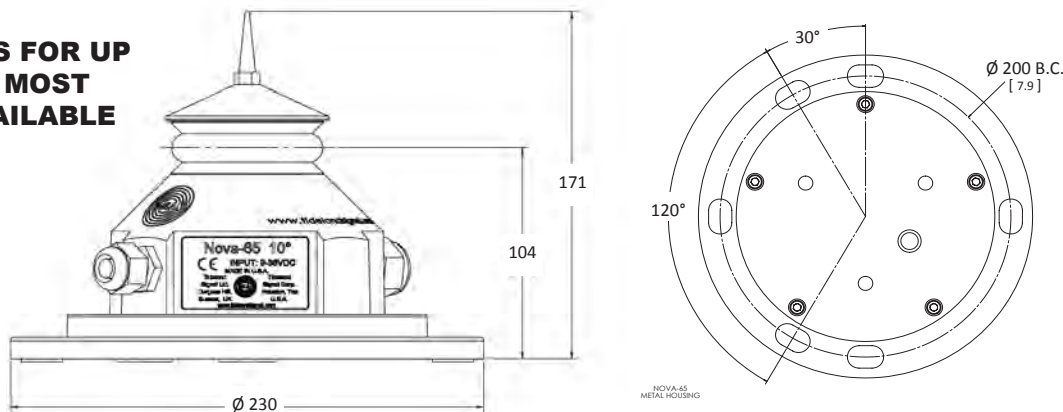
Input Voltage	9 to 36VDC
Power Consumption - Nova-65	Variable up to 10W
Power Setting	Field selectable
Colours Available	Red, green, yellow, white, blue
Operating Temperature	-40° C to +70° C
Storage Temperature	-40° C to +70° C
Vertical Divergences	5°, 10°, 20°, and 30° degrees, all colors 3° degrees, white only
Quiescent Current	<2mA
Flash Codes	Up to 256 codes, field selectable or via communication links
Synchronisation	GPS or hard wire options
Monitor and Control	Capable
Visibility	360° horizon (omnidirectional)
Sunswitch Threshold	Adjustable
Physical Measurements	
Base Mounting	230mm (9.1in) maximum diameter
Height	171mm (6.7in)
Weight	Polycarbonate 0.77kg (1.7lbs) Aluminum 1.97kg (4.3lbs)
IP Rating	IP 66 and IP 68

NOTE: Specifications are subject to change.

## EFFECTIVE INTENSITY TABLE

Range figures shown below are in nautical miles flashed at 0.5s @ T=0.74					
	3° Vertical Divergence	5° Vertical Divergence	10° Vertical Divergence	20° Vertical Divergence	30° Vertical Divergence
WHITE	10.0	8.8	7.7	6.6	6.2
RED	N/A	7.1	6.7	5.4	4.7
GREEN	N/A	8.0	7.2	5.8	5.7
YELLOW	N/A	7.7	7.0	5.7	N/A

### Nova-65 BEST IN CLASS FOR UP TO 10NM, THE MOST EFFICIENT AVAILABLE



Effective Intensity Tables can be found on our website at [www.tidelandsignal.com](http://www.tidelandsignal.com)

<b>USA - HOUSTON</b> P: + 1 713 681 6101 F: + 1 713 681 6233 E: <a href="mailto:us-sales@tidelandsignal.com">us-sales@tidelandsignal.com</a>	<b>UK - BURGESS HILL</b> P: + 44 (0) 1444 872240 F: + 44 (0) 1444 872241 E: <a href="mailto:emea-sales@tidelandsignal.com">emea-sales@tidelandsignal.com</a>	<b>UAE - DUBAI</b> P: + 971 (0) 4 885 5842 F: + 971 (0) 4 885 7352 E: <a href="mailto:emea-sales@tidelandsignal.com">emea-sales@tidelandsignal.com</a>	<b>CHINA</b> P: + 86 (0) 1380 101 4639 F: + 86 (0) 21 3868 8087 E: <a href="mailto:asia-sales@tidelandsignal.com">asia-sales@tidelandsignal.com</a>
<b>CANADA - DSS MARINE</b> P: + 844 843 3526 F: + 613 680 7418 E: <a href="mailto:canada-sales@tidelandsignal.com">canada-sales@tidelandsignal.com</a>	<b>UK - GT YARMOUTH</b> P: + 44 (0) 1493 441711 F: + 44 (0) 1493 440322 E: <a href="mailto:emea-sales@tidelandsignal.com">emea-sales@tidelandsignal.com</a>	<b>SINGAPORE</b> P: + 65 6333 0078 F: + 65 6333 0079 E: <a href="mailto:asia-sales@tidelandsignal.com">asia-sales@tidelandsignal.com</a>	



Nova-65 is NEC/CSA listed for Class 1, Division 2, Groups A, B, C, and D.



© Tideland Signal Corporation 2015  
BD20R08