



# MLED-150Ex

## 10NM External Powered Marine Lantern

MLED-150Ex brings the benefits of LED technology, low power, high reliability and low maintenance, to the Zone 1 environment. The flasher and optical source assembly, designated MaxiHALO-150, is designed after the proven MaxiHALO-60. The MaxiHALO-150 is installed in a rugged Exd well glass housing used in the rigors of offshore atmospheres. The MLED-150Ex is compatible with current Tideland Signal lanterns and is configurable as a Secondary (Standby) light. When used in a main and secondary pair installation, the Secondary light monitors the Main light and, upon failure, automatically begins operation. Onboard software constantly monitors operation of the MLED-150Ex and initiates an alarm signal if critical operation parameters are exceeded. The MLED-150Ex produces an omnidirectional beam of 10NM visual range with  $T = 0.74$  (16NM with  $T = 0.85$ ).

### FEATURES

- User selectable power settings
- 256 user selectable flash characters
- Temperature compensated LED drive circuits ensure uniform brightness with changes in ambient temperature
- Full monitor and control capability
- Fail output terminal for go/no go monitoring
- Constant current power source maximises LED life
- Optional GPS synchronisation module

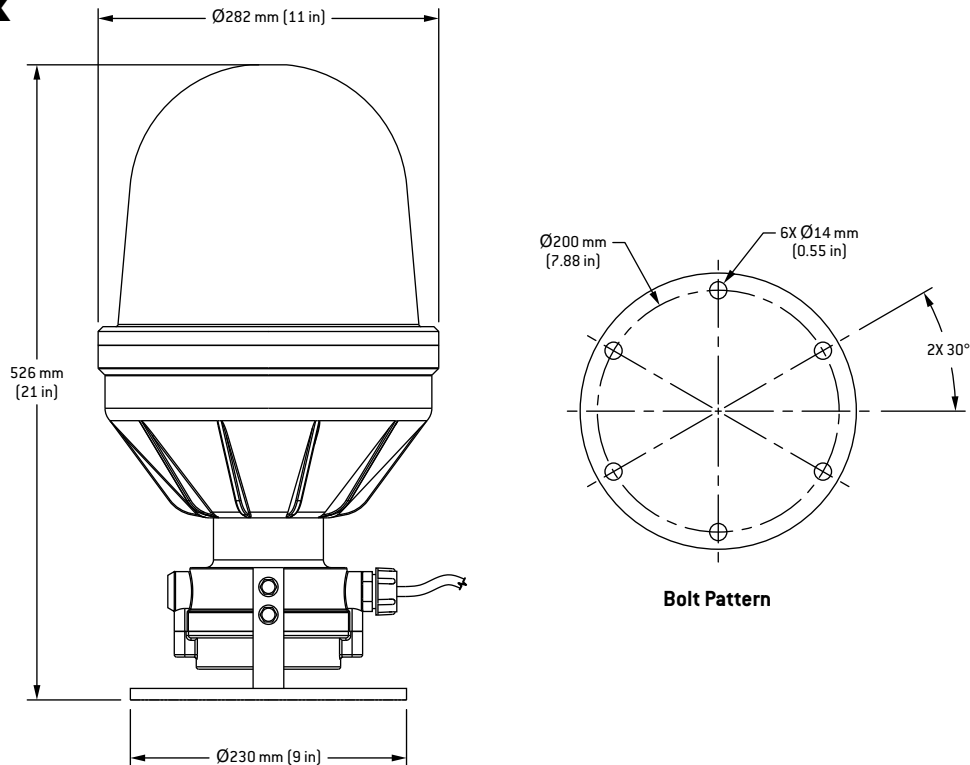
MLED-150Ex



# SPECIFICATIONS

Input Voltage	9 to 36VDC
Power Consumption	Variable up to 20W
Power Setting	Field Selectable
Colours Available	Red, green, yellow, white and blue
Quiescent Current	< 7mA
Visibility	360° horizon (omnidirectional)
Vertical Divergence	3.7°
Monitor and Control	Capable
Flash Codes	256 codes
Synchronisation	GPS or hardwire options
Sunswitch Threshold	Variable
Weight	15kg (33lb)
Operating Temperature	-40° C to +60° C
Relative Humidity	100% condensing
Atmosphere	Rated for operation in salt air
Wind	Designed to withstand speeds in excess of 320kmph (200mph)
IP Rating	IP66
Base	Cast Aluminium
Outer Lens	Tempered Glass

## MLED-150Ex 10NM EXTERNAL POWERED MARINE LANTERN



**USA - HOUSTON**  
P: + 1 713 681 6101  
F: + 1 713 681 6233  
E: us-sales@tidelandsignal.com

**CANADA - DSS MARINE**  
P: + 844 843 3526  
F: + 613 680 7418  
E: canada-sales@tidelandsignal.com

**UK - BURGESS HILL**  
P: + 44 (0) 1444 872240  
F: + 44 (0) 1444 872241  
E: emea-sales@tidelandsignal.com

**UK - GT YARMOUTH**  
P: + 44 (0) 1493 441711  
F: + 44 (0) 1493 440322  
E: emea-sales@tidelandsignal.com

**UAE - DUBAI**  
P: + 971 (0) 4 885 5842  
F: + 971 (0) 4 885 7352  
E: emea-sales@tidelandsignal.com

**SINGAPORE**  
P: + 65 6333 0078  
F: + 65 6333 0079  
E: asia-sales@tidelandsignal.com

**CHINA**  
P: + 86 (0) 1380 101 4639  
F: + 86 (0) 21 3868 8087  
E: asia-sales@tidelandsignal.com