



# ML-300

## *MaxLumina® Marine Signal Lantern*

The lightweight and durable ML-300 is suitable for a wide range of marine applications such as lighthouses, landfall beacons, offshore platforms, drilling barges and channel markers. ML-300 produces luminous intensity levels with lower current consumption than other manufacturers' lanterns equipped with moulded lenses. The ML-300 utilises Tideland's 300mm Fresnel lens, introduced in 1967 as the world's largest single-piece acrylic optic for marine lanterns. Today, the ML-300 is the most efficient injection moulded 300mm lens available producing greater required effective intensities from smaller wattage lamps than any other lens of comparable size.

### FEATURES

- Accommodates all Tideland Signal standard incandescent flasher/ lampchangers
- MLED-RETRO, and MaxiHALO-60 LED replacement light sources
- Supports all industry standard flasher/ lampchangers
- Lenses available in all approved IALA colours
- Tideland Signal's patented leveling and focusing system
- Easy twist-and-lift tabs allow lens to be removed quickly for maintenance
- Cable glands and connectors factory supplied
- For applications requiring a sectored light, one or more coloured acrylic inserts (including opaque) can be added
- Excellent for all marine environments
- Full monitor and control access with Tideland Signal flasher



# SPECIFICATIONS

## EFFECTIVE INTENSITY TABLES (Schmidt-Clausen Method) ML-300 MaxLumina Lantern with Clear Lens and Selected Lamps

Electrical Rating/ Lamp Type	Incandescent Time (sec)	Fixed Intensity (cd)	EFFECTIVE INTENSITY IN CANDELAS – FLASHING WHITE									
			CCT	CCT	CCT	CCT	CCT	CCT	CCT	CCT	CCT	CCT
			0.1 sec	0.2 sec	0.3 sec	0.4 sec	0.5 sec	0.6 sec	1.0 sec	1.2 sec	2.0 sec	
6.2V, 0.125A / C-8. S-8	0.030	21	6	10	12	14	15	16	17	18	19	
6.2V, 0.25A / C-8. S-8	0.050	51	14	24	30	33	36	38	42	44	46	
6.2V, 0.46A / C-8. S-8	0.076	135	34	62	77	86	95	100	112	115	123	
6.2V, 0.70A / C-8. S-8	0.100	180	-	78	101	115	125	132	149	153	163	
6.2V, 0.92A / C-8. S-8	0.130	245	-	104	135	155	169	179	202	209	222	
6.2V, 1.40A / C-8. S-8	0.170	440	-	176	236	274	301	320	362	374	399	
12V, 0.25A / C-8. S-8	0.050	100	28	47	58	65	71	74	83	85	91	
12V, 0.55A / C-8. S-8	0.088	260	67	119	149	168	182	192	215	222	236	
12V, 0.77A / C-8. S-8	0.110	400	-	175	224	256	278	294	331	341	363	
12V, 1.15A / C-8. S-8	0.150	550	-	220	294	342	375	399	453	467	498	
12V, 1.35A / C-8. S-8	0.170	642	-	248	336	395	435	464	527	545	581	
12V, 2.03A / C-8. S-8	0.230	1050	-	-	544	642	709	756	862	890	951	
12V, 3.05A / C-8. S-11	0.310	1500	-	-	-	880	976	1054	1220	1264	1355	
12V, 1.90A / CC-8. S-11	0.220	1920	-	-	974	1207	1318	1400	1583	1633	1740	
12V, 3.00A / CC-8. S-11	0.305	2660	-	-	-	1534	1727	1866	2162	2241	2403	
12V, 20W / C-8. T-3.5Q	0.190	1783	-	660	927	1097	1212	1284	1462	1516	1623	
12V, 35W / C-8. T-3.5Q	0.290	2986	-	-	1403	1747	1971	2120	2434	2514	2702	
12V, 50W / C-8. T-3.5Q	0.380	4099	-	-	-	2254	2603	2828	3320	3443	3689	
12V, 75W / C-8. T-3.5Q	0.510	5642	-	-	-	-	-	3724	4491	4683	5078	
12V, 100W / C-8. T-3.5Q	0.630	7288	-	-	-	-	-	-	5721	5976	6486	
12V, 20W / C-8. T-2.6Q HP	0.190	2205	-	816	1147	1356	1499	1588	1808	1874	2007	
12V, 35W / C-8. T-2.6Q HP	0.290	3576	-	-	1681	2092	2360	2539	2914	3011	3236	
12V, 50W / C-8. T-2.6Q HP	0.380	5356	-	-	-	2946	3401	3696	4338	4499	4820	
12V, 10W / C-8. T-2.6Q HG	0.120	662	-	285	367	422	457	485	549	563	602	
*120V, 250W	0.235	580	-	-	2971	3506	3885	4156	4751	4911	5249	

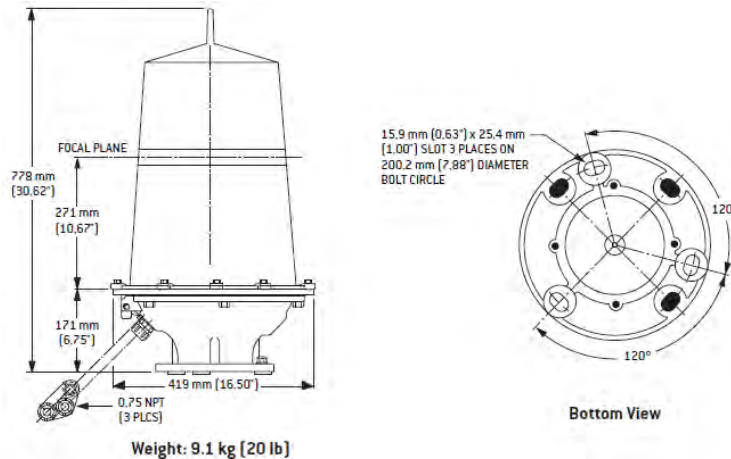
\*Double-contact bayonet base. All other lamps are prefocused single-contact base.

## ML-300 MaxLumina Lantern with Ex Twin-Filament Lamp (10NM)

Electrical Rating/ Lamp Type	Incandescent Time (sec)	Fixed Intensity (cd)	EFFECTIVE INTENSITY IN CANDELAS – FLASHING WHITE									
			CCT	CCT	CCT	CCT	CCT	CCT	CCT	CCT	CCT	
			0.4 sec	0.5 sec	0.6 sec	0.7 sec	0.8 sec	0.9 sec	1.0 sec	1.2 sec	2.0 sec	
10.3V, 40W/40W	0.392	2123	1104	1359	1465	1554	1618	1677	1720	1783	1921	

Use multiplier of 0.30 for red or green lens and 0.74 for yellow lens. For lanterns in biform configuration, multiply listed values by two.

### ML-300 5 OR 10NM FLASHING MORSE CODE "U"



Effective Intensity Tables for LED Replacement Light Sources can be found on our website at [www.tidelandsignal.com](http://www.tidelandsignal.com)

**USA - HOUSTON**  
P: + 1 713 681 6101  
F: + 1 713 681 6233  
E: [us-sales@tidelandsignal.com](mailto:us-sales@tidelandsignal.com)

**UK - BURGESS HILL**  
P: + 44 (0) 1444 872240  
F: + 44 (0) 1444 872241  
E: [emea-sales@tidelandsignal.com](mailto:emea-sales@tidelandsignal.com)

**UAE - DUBAI**  
P: + 971 (0) 4 885 5842  
F: + 971 (0) 4 885 7352  
E: [emea-sales@tidelandsignal.com](mailto:emea-sales@tidelandsignal.com)

**CHINA**  
P: + 86 (0) 1380 101 4639  
F: + 86 (0) 21 3868 8087  
E: [asia-sales@tidelandsignal.com](mailto:asia-sales@tidelandsignal.com)

**CANADA - DSS MARINE**  
P: + 844 843 3526  
F: + 613 680 7418  
E: [canada-sales@tidelandsignal.com](mailto:canada-sales@tidelandsignal.com)

**UK - GT YARMOUTH**  
P: + 44 (0) 1493 441711  
F: + 44 (0) 1493 440322  
E: [emea-sales@tidelandsignal.com](mailto:emea-sales@tidelandsignal.com)

**SINGAPORE**  
P: + 65 6333 0078  
F: + 65 6333 0079  
E: [asia-sales@tidelandsignal.com](mailto:asia-sales@tidelandsignal.com)



ML-300 is available in four versions:  
General Marine Use (GMU); UL listed for  
Class I, Division 2, Group D Hazardous  
Locations; Certified for Atex Category 2 or 3



MaxLumina® is a registered trademark of  
Tideland Signal Corporation.  
© Tideland Signal Corporation 2015  
B2R08