



ML-140

MaxLumina® Marine Signal Lantern

Tideland's ML-140 lantern is ideal for use as an aid to navigation wherever a wide-angle vertical divergence light beam is required. The use of wider light beams is recognised as an important factor in compensating for buoy roll. Visibility is also improved in locations, such as high bridges, where there may be extreme differences in the angle of observation at various ranges. The ML-140 is a single-piece injection moulding of acrylic with Fresnel optics specially designed to increase beam divergence in the vertical plane. Rigorous Tideland Signal guidelines for precise manufacture produce an excellent lens-to-lamp ratio, enabling the ML-140 to meet required luminous intensity levels while consuming less power.

FEATURES

- Accommodates all Tideland standard incandescent flasher/lampchangers and MLED-RETRO, an LED replacement light source
- Supports all industry standard flasher/lampchangers
- Lenses available in all approved IALA colours
- Light and durable, designed for long term use in the harshest marine environments
- Lens secured to the base through an integral hinge and six-point fastener system, and will not open due to wind or ice buildup
- Cable glands and connectors factory supplied
- Full monitor and control access with Tideland Signal flasher
- Lens are dimensionally stable and will not discolour with age



SPECIFICATIONS

EFFECTIVE INTENSITY TABLES Standard C-8 Filament Lamps(Schmidt-Clausen Method) ML-140 MaxLumina Buoy Lantern for Wide Angle Light Beam

Electrical Rating/ Lamp Type	Incandescent Time (sec)	Fixed Intensity (cd)	EFFECTIVE INTENSITY IN CANDELAS – FLASHING WHITE								
			CCT	CCT	CCT	CCT	CCT	CCT	CCT	CCT	CCT
			0.1 sec	0.2 sec	0.3 sec	0.4 sec	0.5 sec	0.6 sec	1.0 sec	1.2 sec	2.0 sec
6.2V, 0.25A/C-8, S-8	0.050	23	6	11	13	15	16	17	19	20	21
6.2V, 0.46A/C-8, S-8	0.076	67	17	31	38	43	47	50	56	57	61
6.2V, 0.70A/C-8, S-8	0.100	105	-	46	59	67	73	77	87	89	95
6.2V, 0.92A/C-8, S-8	0.130	126	-	53	70	80	87	92	104	107	114
6.2V, 1.40A/C-8, S-8	0.170	173	-	69	93	108	118	126	142	147	157
12V, 0.55A/C-8, S-8	0.088	79	20	35	44	51	55	58	65	67	72
12V, 0.77A/C-8, S-8	0.110	137	-	60	77	88	95	101	113	117	124
12V, 1.15A/C-8, S-8	0.150	236	-	94	126	147	161	171	194	200	214
12V, 2.03A/C-8, S-8	0.230	368	-	-	191	225	248	254	302	312	333

EFFECTIVE INTENSITY/VERTICAL DIVERGENCE TABLE ML-140 MaxLumina Buoy Lantern

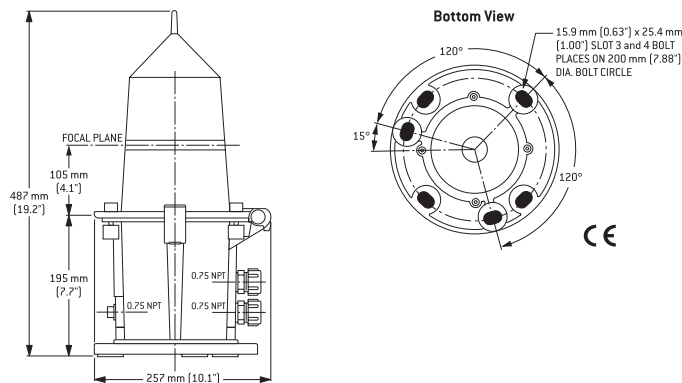
Electrical Rating	Lamp Type	Incandescent Time (sec)	FIXED INTENSITY (CANDELAS)		VERTICAL DIVERGENCE	
			Standard Filament (C-8)	Extended Filament (CX-8)	Standard Filament (C-8)	Extended Filament (CX-8)
			6.2V, 0.25A	C-8, S-8	0.050	23
6.2V, 0.46A	C-8, S-8	0.076	67	38	6.3°	12.0°
6.2V, 0.70A	C-8, S-8	0.100	105	61	7.6°	12.5°
6.2V, 0.92A	C-8, S-8	0.130	126	50	8.0°	13.1°
6.2V, 1.40A	C-8, S-8	0.170	173	72	7.7°	13.5°
12V, 0.55A	C-8, S-8	0.088	98	57	9.9°	12.5°
12V, 0.77A	C-8, S-8	0.110	137	77	10.2°	13.5°
12V, 1.15A	C-8, S-8	0.150	236	115	10.7°	13.5°
12V, 2.03A	C-8, S-8	0.230	368	202	10.3°	13.5°

ML-140 MaxLumina Lantern with GMU Twin-Filament Lamps

Electrical Rating/ Lamp Type	Incandescent Time (sec)	Fixed Intensity (cd)	EFFECTIVE INTENSITY IN CANDELAS – FLASHING WHITE								
			CCT	CCT	CCT	CCT	CCT	CCT	CCT	CCT	CCT
			0.1 sec	0.2 sec	0.3 sec	0.4 sec	0.5 sec	0.6 sec	1.0 sec	1.2 sec	2.0 sec
2W/2W, 10.3V	0.040	26	8	12	15	17	18	19	22	22	24
5W/5W, 10.3V	0.078	98	25	44	56	63	68	72	81	83	89
10W/10W, 10.3V	0.130	185	-	77	102	117	127	135	153	157	170
20W/20W, 10.3V	0.217	322	-	-	165	196	216	232	264	272	291
40W/40W, 10.3V	0.360	620	-	-	-	345	397	430	502	521	560

ML-140

**POPULAR FOR PLATFORMS,
BUOYS AND BRIDGES**



USA - HOUSTON
P: + 1 713 681 6101
F: + 1 713 681 6233
E: us-sales@tidelandsignal.com

UK - BURGESS HILL
P: + 44 (0) 1444 872240
F: + 44 (0) 1444 872241
E: emea-sales@tidelandsignal.com

UAE - DUBAI
P: + 971 (0) 4 885 5842
F: + 971 (0) 4 885 7352
E: emea-sales@tidelandsignal.com

CHINA
P: + 86 (0) 1380 101 4639
F: + 86 (0) 21 3868 8087
E: asia-sales@tidelandsignal.com

CANADA - DSS MARINE
P: + 844 843 3526
F: + 613 680 7418
E: canada-sales@tidelandsignal.com

UK - GT YARMOUTH
P: + 44 (0) 1493 441711
F: + 44 (0) 1493 440322
E: emea-sales@tidelandsignal.com

SINGAPORE
P: + 65 6333 0078
F: + 65 6333 0079
E: asia-sales@tidelandsignal.com



ML-140 is available in three versions:
General Marine Use (GMU); UL listed for
Class I, Division 2, Group D Hazardous
Locations; Ex II 3G.



MaxLumina® and Sentinel are registered trademarks of
Tideland Signal Corporation.
© Tideland Signal Corporation 2015
B6R06