



MaxiHALO-60 II

LED Flasher

Tideland Signal's New MaxiHalo-60 II LED flasher assembly allows for an easy upgrade to LED technology without having to replace existing lanterns. MaxiHALO-60 provides a fully focused light in most Tideland marine signal lanterns and is compatible with most commercially available lanterns and rotating beacons. MaxiHALO-60 II LED flasher, a Tideland Signal proprietary light source, projects a light in a 360° horizontal beam pattern.

FEATURES

- User selectable power settings for multiple visual range performance
- 256 user selectable flash characters
- Full monitor and control access
- SignalView program to set user options
- Available in all IALA approved colours
- A constant current power source provides maximum lifetime of LEDs
- Temperature compensated LED drive circuits ensure uniform brightness with ambient temperature change
- Provides high electro-optical efficiency
- Impervious to shock and vibration
- Sunswitch on-off set points
- Optional GPS synchronisation module
- Sealed Electronics



SPECIFICATIONS

Input Voltage	9 to 36VDC
Power Consumption	Variable up to 7 watts or 19 watts for EFF version
Power Setting	Field selectable
Colours Available	Red, green, yellow, white, blue
Operating Temperature	-40° C to +70° C
Storage Temperature	-40° C to +70° C
Vertical Beam Divergence	Variable – see marine lantern product bulletins
Quiescent Current	< 5mA
Flash Codes	Up to 256 codes, field selectable or via communication links
Synchronisation	GPS or hard wire options
Monitor and Control	Capable
Visibility	360° horizon (omnidirectional)
Sunswitch Threshold	Variable

NOTE: Specifications are subject to change.

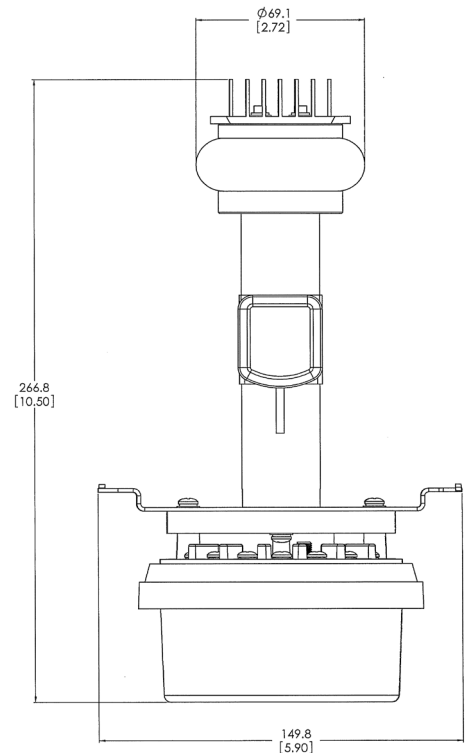
MaxiHALO-60 II PROPRIETARY LIGHT SOURCE, PROJECTING A LIGHT IN A 360 DEGREE HORIZONTAL BEAM PATTERN



Optional 120/240 converter installed on appropriate DC MaxiHALO-60 II when using AC input power.



MaxiHALO-60 II shown mounted in an ML-155 marine lantern.



Effective Intensity Tables can be found on our website at www.tidelandsignal.com

USA - HOUSTON
P: + 1 713 681 6101
F: + 1 713 681 6233
E: us-sales@tidelandsignal.com

CANADA - DSS MARINE
P: + 844 843 3526
F: + 613 680 7418
E: canada-sales@tidelandsignal.com

UK - BURGESS HILL
P: + 44 (0) 1444 872240
F: + 44 (0) 1444 872241
E: emea-sales@tidelandsignal.com

UK - GT YARMOUTH
P: + 44 (0) 1493 441711
F: + 44 (0) 1493 440322
E: emea-sales@tidelandsignal.com

UAE - DUBAI
P: + 971 (0) 4 885 5842
F: + 971 (0) 4 885 7352
E: emea-sales@tidelandsignal.com

SINGAPORE
P: + 65 6333 0078
F: + 65 6333 0079
E: asia-sales@tidelandsignal.com

CHINA
P: + 86 (0) 1380 101 4639
F: + 86 (0) 21 3868 8087
E: asia-sales@tidelandsignal.com



When installed in an ML-300/155/140, the lantern is rated UL Class 1, Division 2, Group D or Atex Category 3.



NAM
National Association
of Manufacturers

MaxLumina is a registered trademark of Tideland Signal Corporation.
© Tideland Signal Corporation 2015
D20AR03