



# LC-70

## Lampchanger

Tideland Signal's LC-70 lampchanger utilises a 75-watt high intensity discharge (HID) metal halide lamp that produces a light with a range in excess of 24 NM when used in the TRB-400 MaxLumina® gearless drive rotation beacon.

### FEATURES

- HID metal halide lamps provide long service life and high efficiency
- Special operations to maintain HID lamps provided by a robust three-place lamp turret and electronic control circuit
- HID lamps, rated life of 6,000 hours, give LC-70 low maintenance service with a combined lamp life of over 3-1/2 years under normal conditions
- Commutator housing is high temperature fiberglass-reinforced plastic, safely shielding user from high voltages
- Stepper motors use induction techniques rather than brushed, conserving power, increasing reliability and service life
- Full monitor and control access
- Microcontroller manages all high level functions

### FEATURES - MAIN CONTROL AND MICROCONTROLLER

- Records lamp burntime
- Monitors position and optical sensors
- Controls turret
- Communicates with external monitor
- Monitors rotation, assuring that rotation speed matches settings

The main control unit allows the lamp to light if the following conditions exist:

- Sunswitch indicates nighttime, or turn on command has been issued via communication program
- Turn off command has not been issued via communication program
- No detected failures
- Not configured as standby lantern which is paired with main lantern

LC-70 Lampchanger



The main control unit will turn off power to the lamp if one of the following conditions occurs:

- Lens carousel rotation failure
- No good lamps left

Like many of Tideland Signal's lampchangers, the LC-70 offers remote monitor and control capability through transmission of serial data and sync signals via Tideland's OMNICOOMM or NavLink® systems.

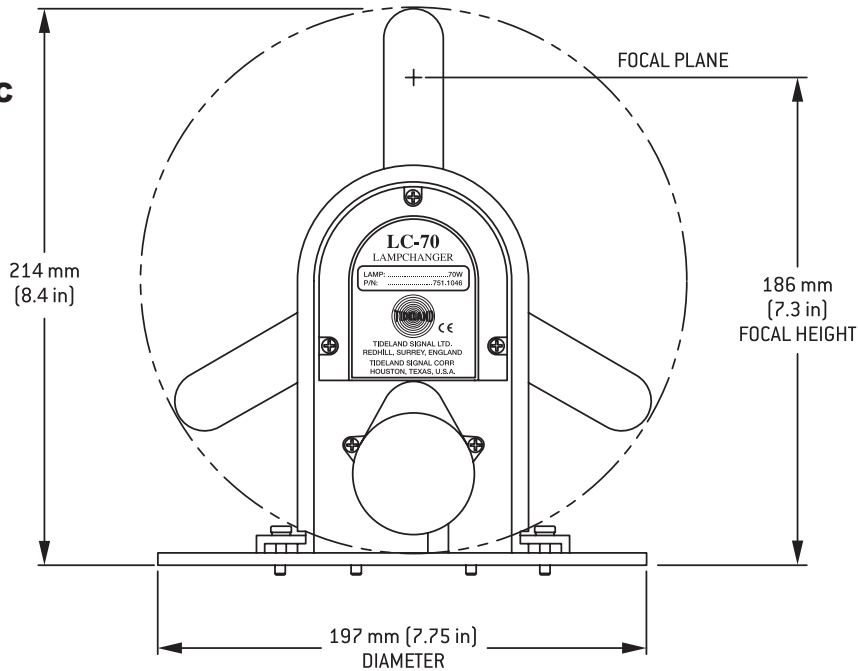
When redundancy is required, the TRB-400 equipped with an LC-70 can be paired with another Tideland lantern as a standby lantern that can automatically begin flashing in the event the TRB-400 fails.

# SPECIFICATIONS

Input Voltage	21 to 33VDC
Quiescent Current	6mA
Lantern Power Consumption	98W
Efficiency	>70%
Lamps	70 watt Metal Halide
Lamp Type	Ushio UHI-S75 DWS/UVP
Operating Temperature	-40° C to +70° C
Relative Humidity	5% to 100%, non-condensing
Sunswitch Threshold	30 lux to 90 lux
Position Sensors	Magnetic Hall-Effect
Optical Sensor	Silicon Phototransistor

NOTE: Specifications are subject to change.

## LC-70 LAMPCHANGER OFFERS REMOTE MONITOR AND CONTROL CAPABILITY THROUGH TRANSMISSION OF SERIAL DATA AND SYNC SIGNALS



**USA - HOUSTON**  
P: + 1 713 681 6101  
F: + 1 713 681 6233  
E: us-sales@tidelandsignal.com

**CANADA - DSS MARINE**  
P: + 844 843 3526  
F: + 613 680 7418  
E: canada-sales@tidelandsignal.com

**UK - BURGESS HILL**  
P: + 44 (0) 1444 872240  
F: + 44 (0) 1444 872241  
E: emea-sales@tidelandsignal.com

**UK - GT YARMOUTH**  
P: + 44 (0) 1493 441711  
F: + 44 (0) 1493 440322  
E: emea-sales@tidelandsignal.com

**UAE - DUBAI**  
P: + 971 (0) 4 885 5842  
F: + 971 (0) 4 885 7352  
E: emea-sales@tidelandsignal.com

**SINGAPORE**  
P: + 65 6333 0078  
F: + 65 6333 0079  
E: asia-sales@tidelandsignal.com

**CHINA**  
P: + 86 (0) 1380 101 4639  
F: + 86 (0) 21 3868 8087  
E: asia-sales@tidelandsignal.com