



SB-1500

Sentinel® Multi-Purpose Buoy

SB-1500 is a product of Tideland's continued development of higher performance, low maintenance, cost-effective multi-purpose buoys for use in all marine environments. The unique design of this buoy allows it to be deployed in a wide variety of applications that include shallow water, channel edges, rivers up to 6 knots current, deep harbours and fast current tidal zones.

FEATURES

- **UV-STABILISED POLYETHYLENE** – Rotationally moulded to form a seamless body, 9.5mm thick, able to withstand knocks and/or collision. Through a unique mould design and a controlled process, an increased thickness is formed at major stress points. This rugged material is abrasion resistant and repels marine growth, eliminating costly sandblasting and painting.
- **LONG-TERM STRENGTH** – SB-1500 is quipped with a galvanised steel mooring and lifting eye and the complete assembly is removable for inspection. SB-1500 buoy is EPS foam filled to prevent significant water ingress in event of a puncture. As with all Sentinel® buoys, minor punctures are on-station repairable.
- **STABILITY** – SB-1500 is ideal for use in currents up to 6 knots. The unique keel and hull system with 160kg (350lb) of internal ballast keeps the buoy stable, upright and tracking.
- **MATCHING OR ALTERNATING COLOURS** – SB-1500 is available in all recommended IALA colours, including cardinal and bifurcation markings, with optional IALA recommended topmarks and daymarks.

OPTIONAL EQUIPMENT

- Internal radar reflector
- Repair equipment
- 4" Lifting eye

OPTIONAL LED MARINE LANTERNS

SB-1500 can be equipped with a range of Tideland self contained lanterns, which are maintenance-free and utilise LED technology, high performance solar modules and high-grade batteries

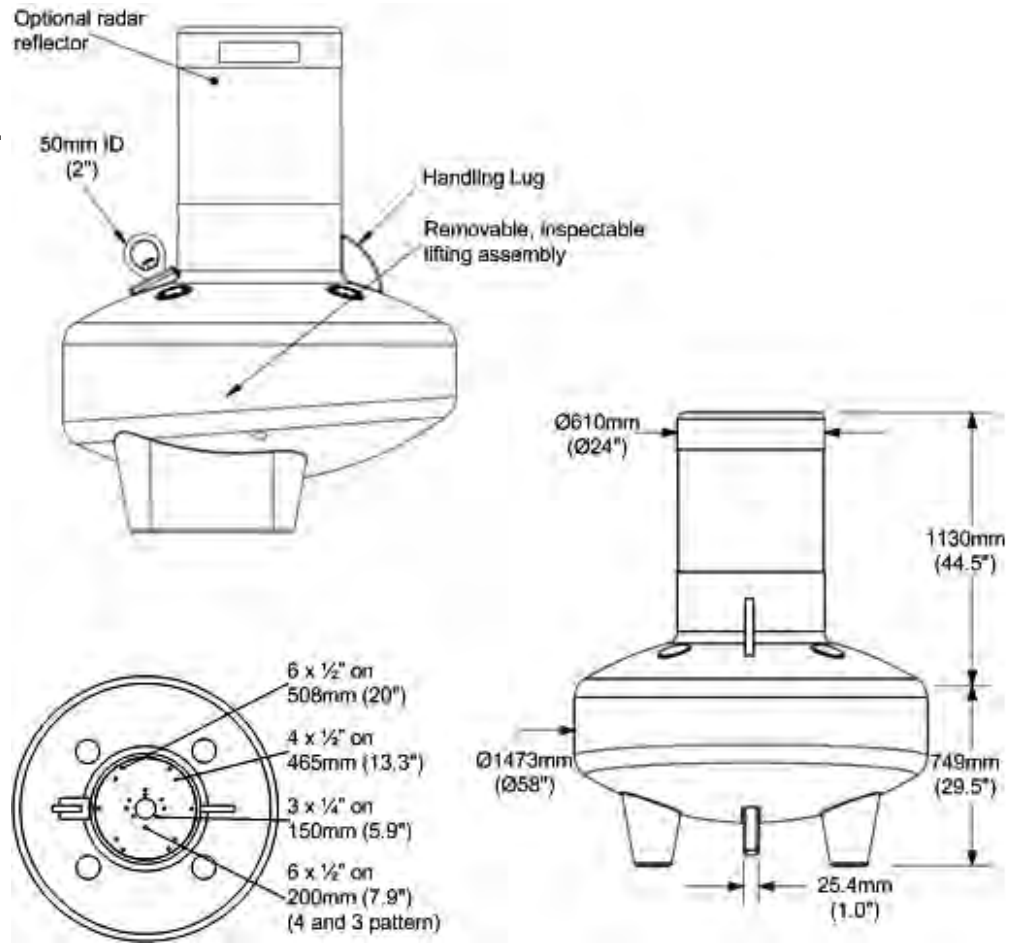


SPECIFICATIONS

Construction	Rotationally moulded in medium density UV-stabilised virgin polyethylene, 9.5mm thick
Foam Filling	16kg/m ³ expanded polystyrene foam
Air Weight	261kg (575lb)
Diameter	1473mm (58in)
Focal Plane Height	1760mm (56in)
Draft	419mm (16.5in)
Freeboard	318mm (12.5in)
Submergence	17kg/cm (95lb/in)
Surface Colour	As Specified
Maximum Mooring Load	540kg (1190lb)
Maximum Current	6 knots

NOTE: Specifications are subject to change.

SB-1500
BEST IN CLASS FOR MEDIUM SIZE BUOY THAT HAS EXCEPTIONAL STABILITY IN FAST WATER YET IS EASY TO HANDLE AND MAINTAIN



Effective Intensity Tables can be found on our website at www.tidelandsignal.com

USA - HOUSTON

P: + 1 713 681 6101
 F: + 1 713 681 6233
 E: us-sales@tidelandsignal.com

CANADA - DSS MARINE

P: + 844 843 3526
 F: + 613 680 7418
 E: canada-sales@tidelandsignal.com

UK - BURGESS HILL

P: + 44 (0) 1444 872240
 F: + 44 (0) 1444 872241
 E: emea-sales@tidelandsignal.com

UK - GT YARMOUTH

P: + 44 (0) 1493 441711
 F: + 44 (0) 1493 440322
 E: emea-sales@tidelandsignal.com

UAE - DUBAI

P: + 971 (0) 4 885 5842
 F: + 971 (0) 4 885 7352
 E: emea-sales@tidelandsignal.com

SINGAPORE

P: + 65 6333 0078
 F: + 65 6333 0079
 E: asia-sales@tidelandsignal.com

CHINA

P: + 86 (0) 1380 101 4639
 F: + 86 (0) 21 3868 8087
 E: asia-sales@tidelandsignal.com