



DuoFlash[®] Ex

Twin-Filament Flasher

The DuoFlash[®] Ex flasher is used with Tideland's ML-155 and ML-300 MaxLumina[®] marine signal lanterns. A variety of protection techniques ensures electrical safety to the latest Zone 1, IIC, T-3 hazardous area standards. DuoFlash Ex, installed in the ML-300 lantern with a 10.3V/40W lamp, meets IALA nominal range intensity requirements for a 10 NM light, or a secondary light on platforms in the United Kingdom or Norwegian North Sea. When DuoFlash Ex is used in an ML-155 lantern with red lens and 10.3V/7.3W lamp, requirements for a subsidiary light are also met for North Sea platforms.

FEATURES

- 256 preprogrammed field-selectable flash codes.
- Synchronisation – lanterns connected to same sync line flash simultaneously.
- Polling photocell control – assures unaffected synchronisation when variations in photocell calibration or failure of a photocell occurs.
- Power regulator to ensure correct power is delivered at the lamp.
- ON and OFF photocell levels.
- Reverse polarity protection.
- If the primary filament fails, a secondary filament operates, illuminating an external LED.
- Full monitor and control access.
- The DuoFlash[®] Ex flasher is used with Tideland's ML-155 and ML-300 MaxLumina marine signal lanterns.

DuoFlash Ex



SPECIFICATIONS

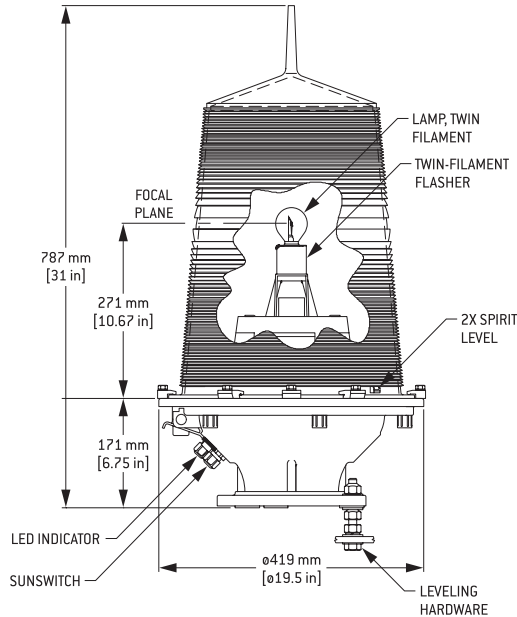
Input Voltage	10.3 – 16VDC
Lamp Size	10.3V/7.3W and 10.3V/40W
Timing Error	0.01% maximum
Relative Humidity	5% – 100% non-condensing
Certification	Zone 1, IIC, T-3

NOTE: Specifications are subject to change.

DuoFlash Ex

A VARIETY OF PROTECTION TECHNIQUES ENSURES ELECTRICAL SAFETY TO THE LATEST ZONE 1, IIC, T-3 HAZARDOUS AREA STANDARDS

DuoFlash Ex twin-filament flasher in a ML-300 MaxLumina marine signal lantern.



ML-155 MaxLumina Lantern with Ex Twin-Filament Lamp
Effective Intensity Table (Subsidiary Light 7.3W/7.3W, 10.3V Lamp) (Schmidt-Clausen Method)

Incandescent Time (sec)	Fixed Intensity (cd)	EFFECTIVE INTENSITY IN CANDELAS – FLASHING WHITE										
		CCT 0.2 sec	CCT 0.3 sec	CCT 0.4 sec	CCT 0.5 sec	CCT 0.6 sec	CCT 0.7 sec	CCT 0.8 sec	CCT 0.9 sec	CCT 1.0 sec	CCT 1.2 sec	CCT 2.0 sec
0.104	170	74	95	108	118	125	130	134	138	140	145	155

ML-300 MaxLumina Lantern with Ex Twin-Filament Lamp
Effective Intensity Table (10-Mile Main Light 40W/40W, 10.3V Lamp) (Schmidt-Clausen Method)

Incandescent Time (sec)	Fixed Intensity (cd)	EFFECTIVE INTENSITY IN CANDELAS – FLASHING WHITE									
		CCT 0.4 sec	CCT 0.5 sec	CCT 0.6 sec	CCT 0.7 sec	CCT 0.8 sec	CCT 0.9 sec	CCT 1.0 sec	CCT 1.2 sec	CCT 2.0 sec	
0.392	2123	1104	1359	1465	1554	1618	1677	1720	1783	1921	

*For Tideland ML-155 and ML-300 lanterns with coloured lenses, apply a reduction factor to the tabulated values for effective intensity as follows: For red or green lens, multiply by 0.30; For yellow lens, multiply by 0.65.

USA - HOUSTON
P: + 1 713 681 6101
F: + 1 713 681 6233
E: us-sales@tidelandsignal.com

UK - BURGESS HILL
P: + 44 (0) 1444 872240
F: + 44 (0) 1444 872241
E: emea-sales@tidelandsignal.com

UAE - DUBAI
P: + 971 (0) 4 885 5842
F: + 971 (0) 4 885 7352
E: emea-sales@tidelandsignal.com

CHINA
P: + 86 (0) 1380 101 4639
F: + 86 (0) 21 3868 8087
E: asia-sales@tidelandsignal.com

CANADA - DSS MARINE
P: + 844 843 3526
F: + 613 680 7418
E: canada-sales@tidelandsignal.com

UK - GT YARMOUTH
P: + 44 (0) 1493 441711
F: + 44 (0) 1493 440322
E: emea-sales@tidelandsignal.com

SINGAPORE
P: + 65 6333 0078
F: + 65 6333 0079
E: asia-sales@tidelandsignal.com



DuoFlash and MaxLumina are registered trademarks of Tideland Signal Corporation.
© Tideland Signal Corporation 2015
D12R02